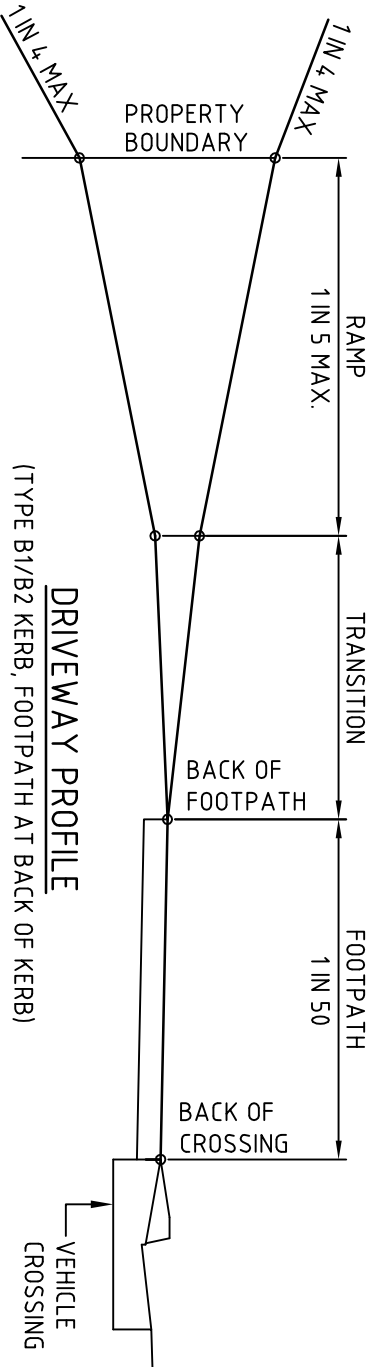
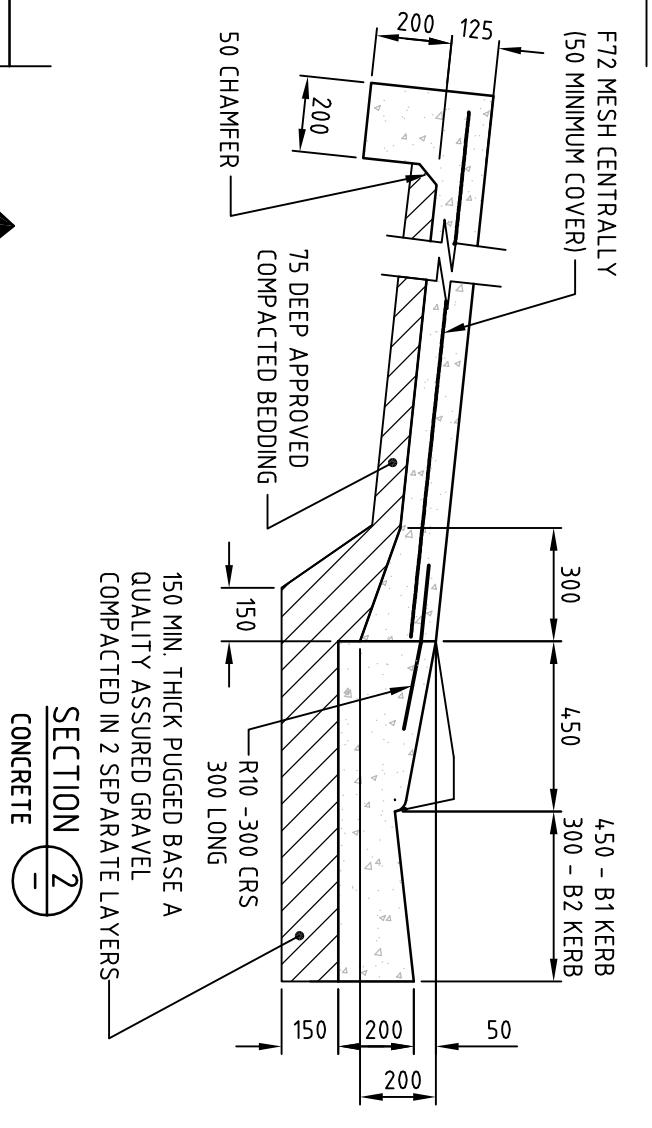


SECTION 1-1



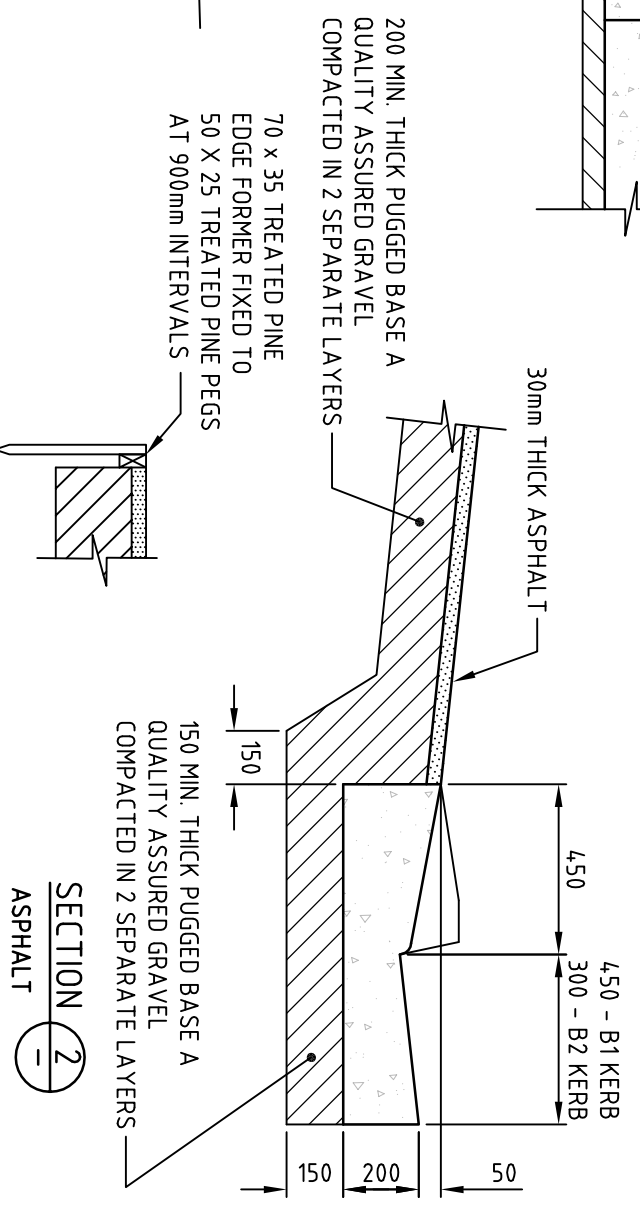
DRIVEWAY PROFILE
(TYPE B1/B2 KERB, FOOTPATH AT BACK OF KERB)

NOTE:
DRIVEWAY PROFILES TO BE IN ACCORDANCE WITH THE REQUIREMENTS OF 'AS/NZS 2890 1:2004'.



SECTION 2-2
CONCRETE

- NOTES:
1. ALL DIMENSIONS ARE IN MILLIMETERS (mm).
 2. MINIMUM CONCRETE GRADE N25.
 3. PROVIDE CENTRAL GROOVED JOINT ON DOUBLE CONCRETE DRIVEWAYS
 4. LOCATE EDGE OF DRIVEWAY 1.0m CLEAR OF SIDE BOUNDARY.



SECTION 2-2
ASPHALT

ASPHALT EDGE TREATMENT

<p>INSTITUTE OF PUBLIC WORKS ENGINEERING AUSTRALIA TASMANIA DIVISION Inc. – 2003 DISCLAIMER. The authors and sponsoring organisations shall have no liability or responsibility to the user or any other person or entity with respect to any liability, loss or damage caused or alleged to be caused, directly or indirectly, by the adoption and use of these Standard Drawings including, but not limited to, any interruption of service, loss of business or anticipatory profits, or consequential damages resulting from the use of these Standard Drawings. Persons must not rely on these Standard Drawings as equivalent of, or a substitute for, project-specific design and assessment by an appropriately qualified professional.</p>	<p>INSTITUTE OF PUBLIC WORKS ENGINEERING AUSTRALIA TASMANIA DIVISION</p>	<p>DRAWING TITLE MUNICIPAL STANDARD DRAWING</p>	<p>SCALE NOT TO SCALE</p>	<p>ISSUE DATE NOV. 1997</p>	<p>APPROVED</p>	<p>DRAWING NO. SD-1003</p>
	<p>INSTITUTE OF PUBLIC WORKS ENGINEERING AUSTRALIA TASMANIA DIVISION</p>	<p>DRAWING TITLE URBAN ROADS - STANDARD VEHICLE CROSSING</p>	<p>SCALE NOT TO SCALE</p>	<p>ISSUE DATE NOV. 1997</p>	<p>APPROVED</p>	<p>DRAWING NO. SD-1003</p>
	<p>INSTITUTE OF PUBLIC WORKS ENGINEERING AUSTRALIA TASMANIA DIVISION</p>	<p>DRAWING TITLE MUNICIPAL STANDARD DRAWING</p>	<p>SCALE NOT TO SCALE</p>	<p>ISSUE DATE NOV. 1997</p>	<p>APPROVED</p>	<p>DRAWING NO. SD-1003</p>
	<p>INSTITUTE OF PUBLIC WORKS ENGINEERING AUSTRALIA TASMANIA DIVISION</p>	<p>DRAWING TITLE URBAN ROADS - STANDARD VEHICLE CROSSING</p>	<p>SCALE NOT TO SCALE</p>	<p>ISSUE DATE NOV. 1997</p>	<p>APPROVED</p>	<p>DRAWING NO. SD-1003</p>

No.	AMENDMENT	APPR.	DATE
(A)	REVIEW OF STANDARD DRAWING SET		01/03
(B)	DRAFTING REVISIONS		05/04
(C)	NMC REVISIONS		01/06