

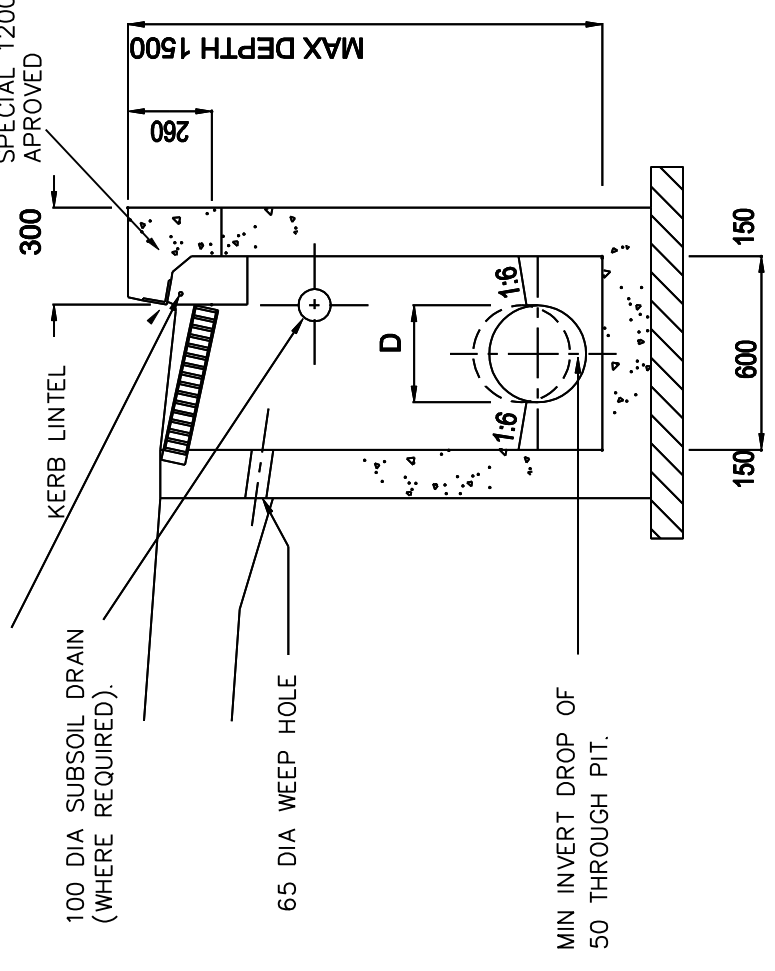
JAYBEE CEMENT PRODUCTS
CONCRETE CURB LINTEL
SPECIAL 1200 OR OTHER
APPROVED

BAR GALVANISED 1200

100 DIA SUBSOIL DRAIN
(WHERE REQUIRED).

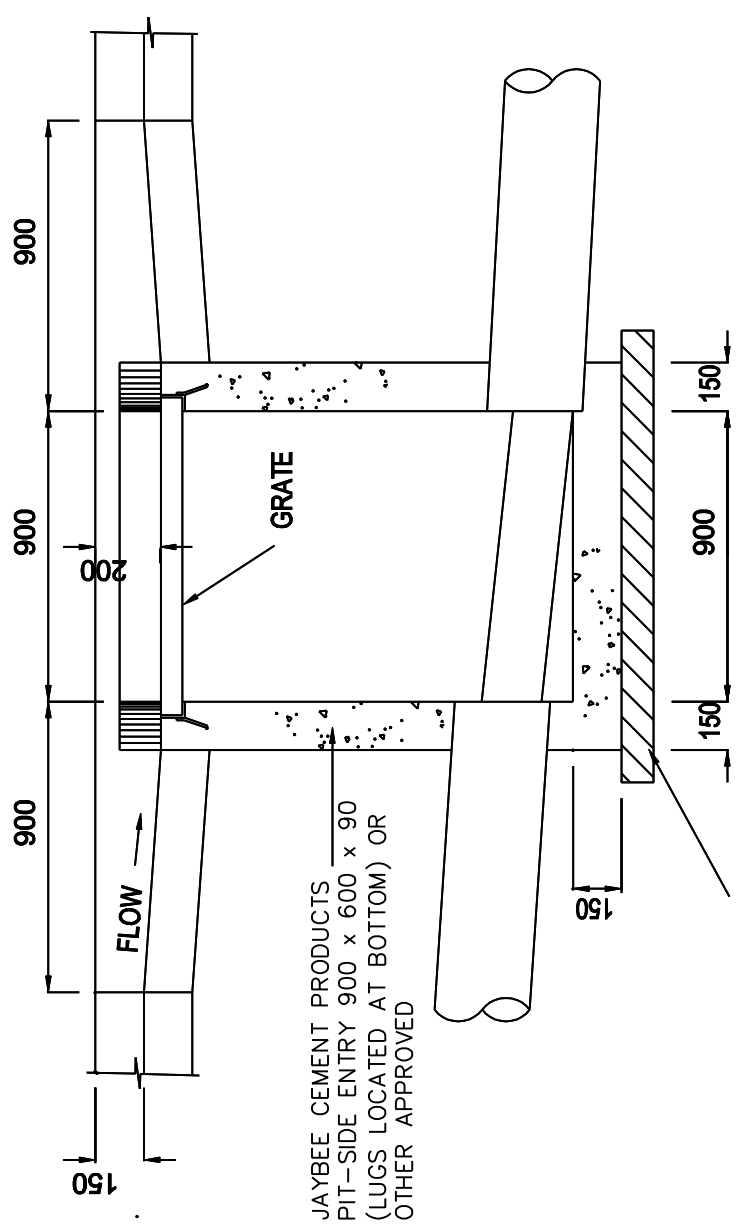
65 DIA WEEP HOLE

MIN INVERT DROP OF
50 THROUGH PIT.



SECTION 2

JAYBEE CEMENT PRODUCTS
PIT-SIDE ENTRY 900 x 600 x 90
(LUGS LOCATED AT BOTTOM) OR
OTHER APPROVED



APPROVED COMPACTED
BEDDING

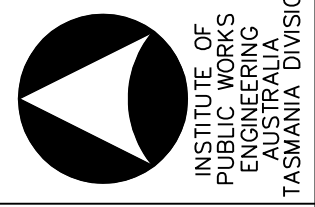
SECTION 1

NOTES

1. ALL DIMENSIONS IN MILLIMETRES (mm).
2. PIPE DIAMETER (D) = 450 MAX.
3. STEP RUNGS SHALL BE HUMES
PSI-PF MANHOLE STEP (OR OTHER
APPROVED) FITTED TO NARROW
SIDE OF PIT.

(E)				
(D)				
(C)				
(B)				
(A)	REVIEW OF STANDARD DRAWING SET		01/03	Date
No.	Amendment	Appr.		Date

INSTITUTE OF PUBLIC WORKS ENGINEERING AUSTRALIA
TASMANIA DIVISION Inc. - 2003 DISCLAIMER.
The authors and sponsoring organisations shall have no liability
or responsibility to the user or any other person or entity with
respect to any liability, loss or damage caused or alleged to be
caused, directly or indirectly, by the adoption and use of these
Standard Drawings including, but not limited to, any interruption of
service, loss of business or anticipatory profits, or consequential
damages resulting from the use of these Standard Drawings.
Persons must not rely on these Standard Drawings as equivalent
of, or a substitute for, project-specific design and assessment by
an appropriately qualified professional.



Drawing Title
MUNICIPAL STANDARD DRAWING
CENTRAL COAST COUNCIL
GRATED SIDE ENTRY PIT

Scale NOT TO SCALE	Issue Date NOV. 1997	Approved	Drawing No. SD-2020
-----------------------	-------------------------	----------	------------------------