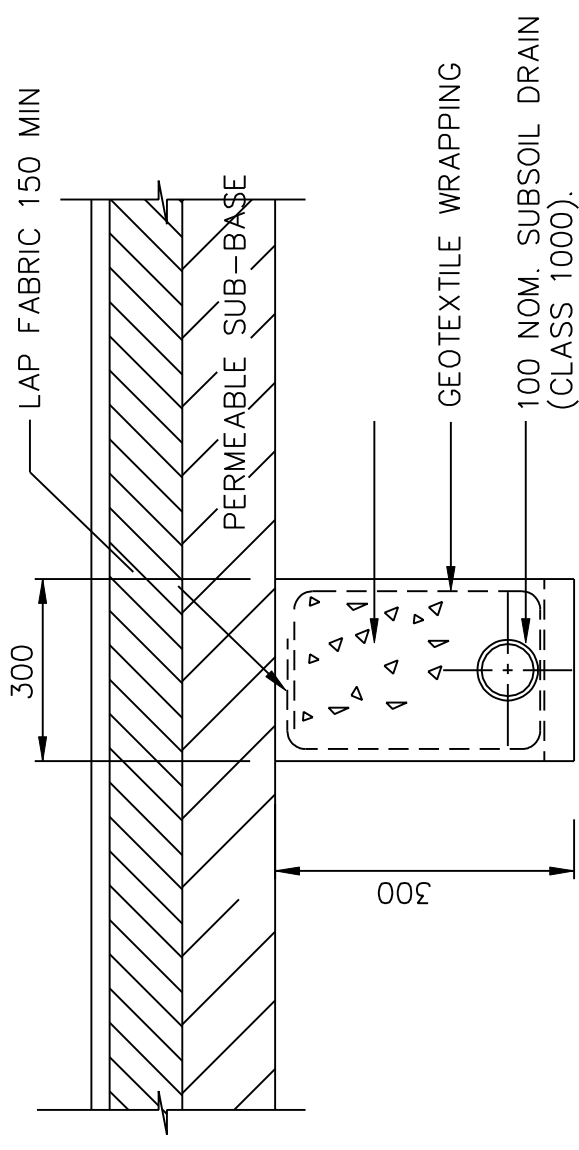


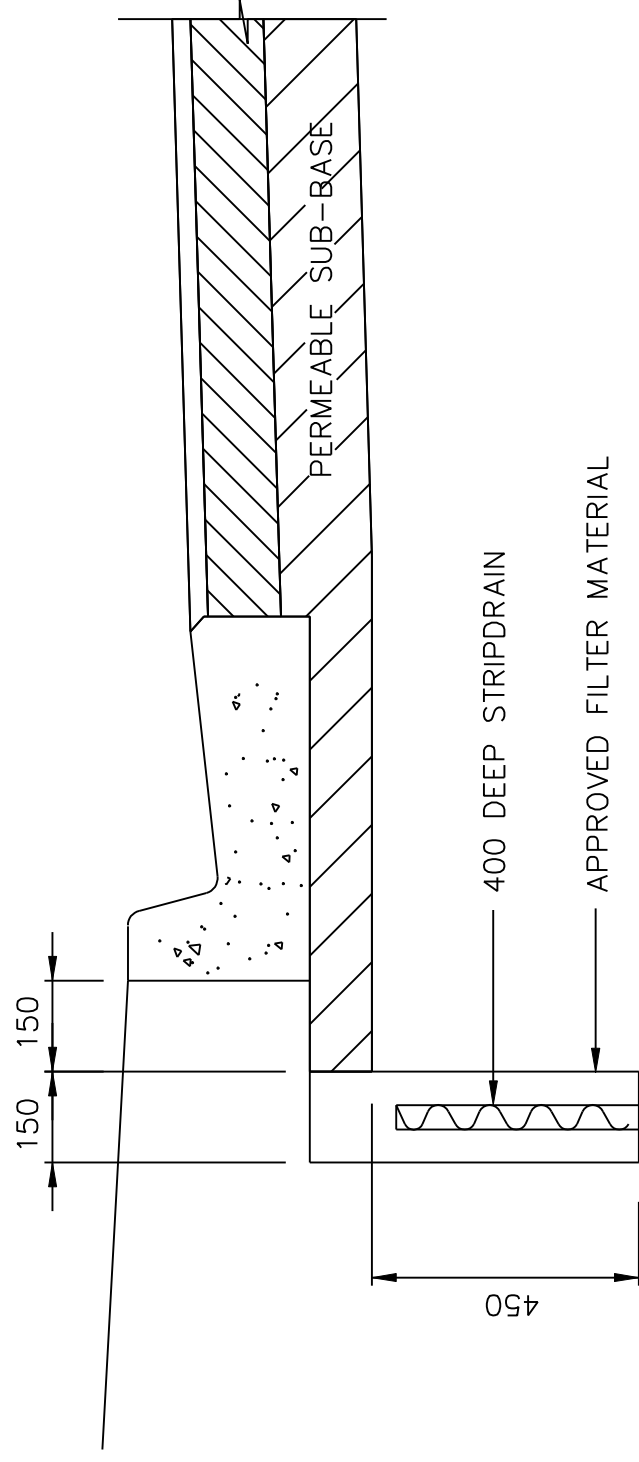
SUBSOIL DRAIN BEHIND KERB



SUBSOIL DRAIN UNDER PAVEMENT

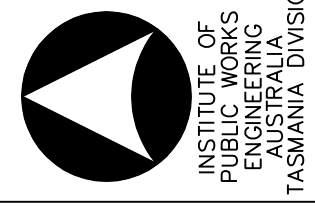
NOTES

1. ALL DIMENSIONS IN MILLIMETRES. (mm)
2. SUBSOIL DRAINS SHALL BE INSTALLED IN LOCATIONS WHERE THE ROAD FORMATION IS LOWER THAN THE NATURAL SURFACE AS DIRECTED BY THE AUTHORISED OFFICER.
3. OTHER DRAINS, TO CONTROL EXCESS WATER UNDER THE ROADWAY SHALL BE PROVIDED WHERE DIRECTED BY THE AUTHORISED OFFICER.
4. SUBSOIL PIPES SHALL BE CONNECTED TO STORMWATER PITS, DIRECT TO STORMWATER MAINS OR TO OTHER APPROVED POINT OF DISPOSAL.



STRIP DRAIN BEHIND KERB

INSTITUTE OF PUBLIC WORKS ENGINEERING AUSTRALIA  
TASMANIA DIVISION Inc. - 2003 DISCLAIMER.  
The authors and sponsoring organisations shall have no liability or responsibility to the user or any other person or entity with respect to any liability, loss or damage caused or alleged to be caused, directly or indirectly, by the adoption and use of these Standard Drawings including, but not limited to, any interruption of service, loss of business or anticipatory profits, or consequential damages resulting from the use of these Standard Drawings. Persons must not rely on these Standard Drawings as equivalent of, or a substitute for, project-specific design and assessment by an appropriately qualified professional.



Drawing Title		MUNICIPAL STANDARD DRAWING	
Scale		NOT TO SCALE	
Issue Date	Approved	Drawing No.	
NOV. 1997		SD-2050	

(E)			
(D)			
(C)			
(B)			
(A)	REVIEW OF STANDARD DRAWING SET	01/03	Date
No.	Amendment	Appr.	Date