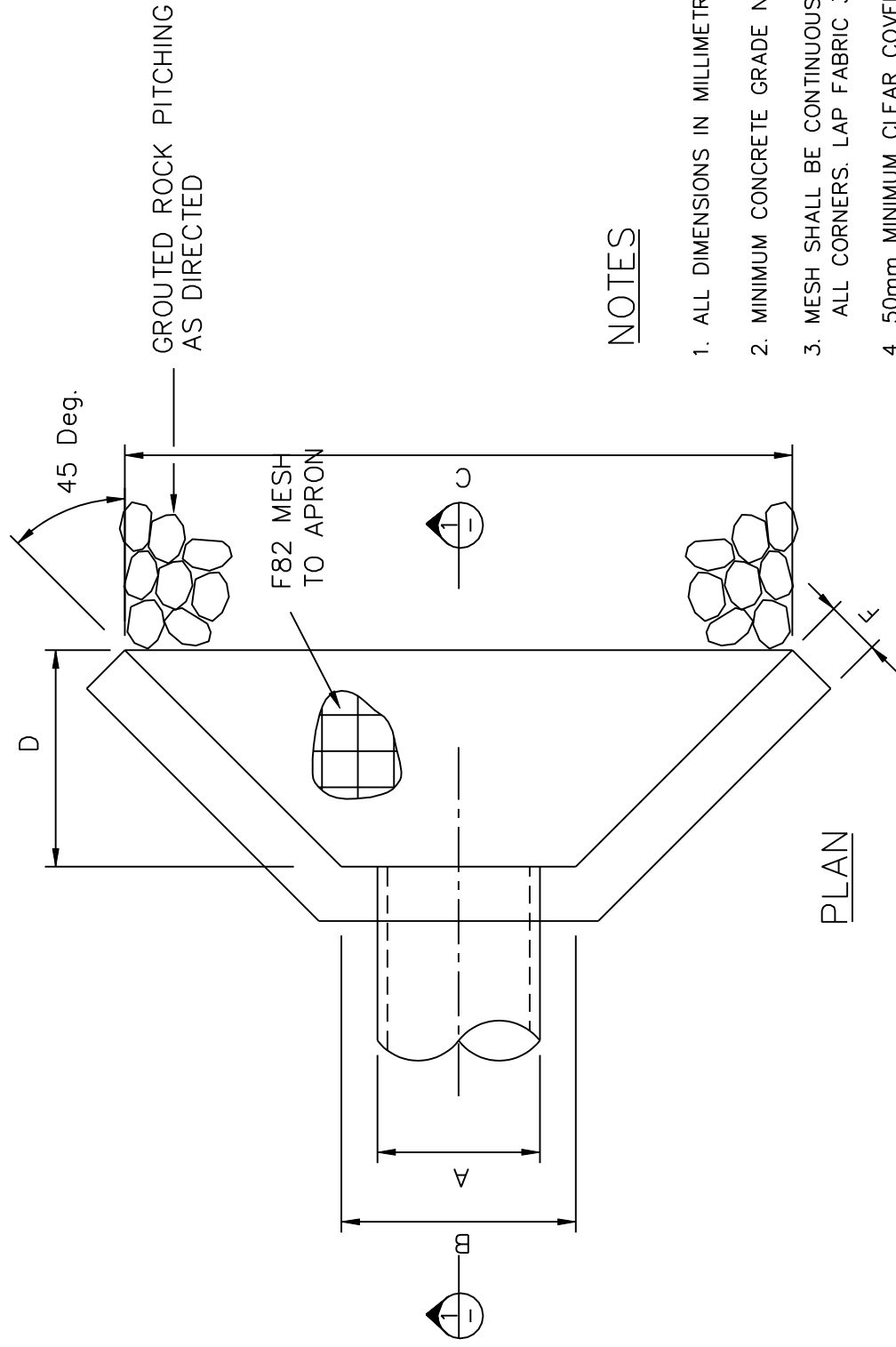
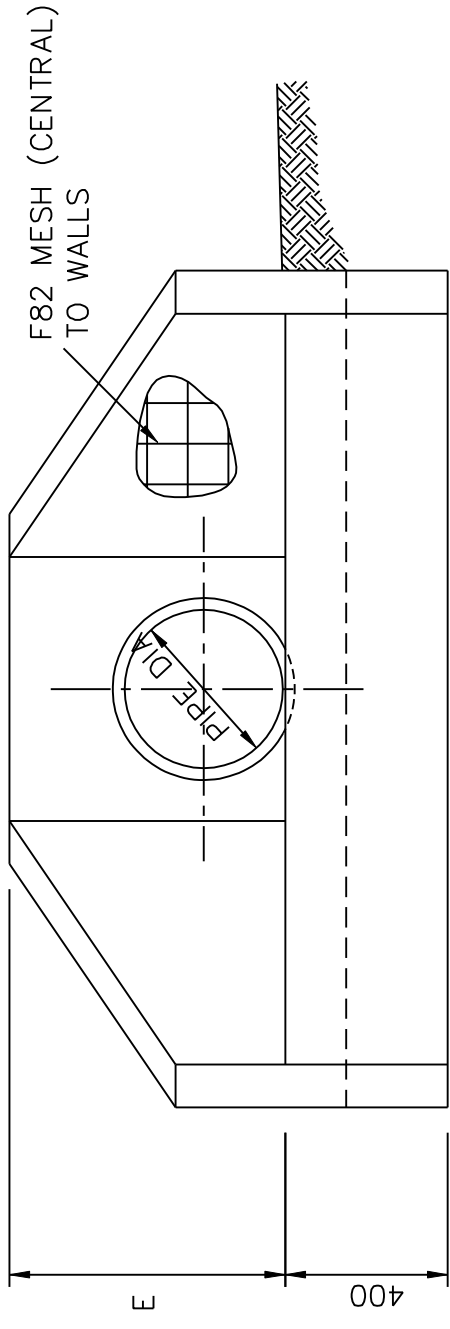


SECTION 1



PLAN



FRONT ELEVATION

NOM. PIPE DIA.	DIMENSION						
	A	B	C	D	E	F	G
300	365	500	1700	600	700	150	300
375	450	575	1775	600	700	150	300
450	538	650	1850	600	750	150	350
525	620	725	2225	750	850	150	350
600	702	800	2300	750	900	175	400
675	786	875	2875	1000	1050	175	400
750	890	950	2950	1000	1100	200	450

NOTES

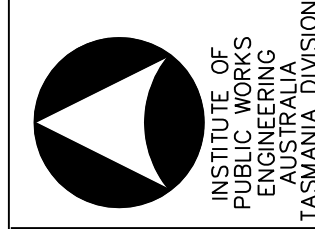
1. ALL DIMENSIONS IN MILLIMETRES (mm).
2. MINIMUM CONCRETE GRADE N20.
3. MESH SHALL BE CONTINUOUS AROUND ALL CORNERS. LAP FABRIC 300 MIN.
4. 50mm MINIMUM CLEAR COVER TO REQ.

No.

REVIEW OF STANDARD DRAWING SET
Amendment

Appr. Date

INSTITUTE OF PUBLIC WORKS ENGINEERING AUSTRALIA TASMANIA DIVISION Inc. - 2003 DISCLAIMER.
The authors and sponsoring organisations shall have no liability or responsibility to the user or any other person or entity with respect to any liability, loss or damage caused or alleged to be caused, directly or indirectly, by the adoption and use of these Standard Drawings including, but not limited to, any interruption of service, loss of business or anticipatory profits, or consequential damages resulting from the use of these Standard Drawings. Persons must not rely on these Standard Drawings as equivalent of, or a substitute for, project-specific design and assessment by an appropriately qualified professional.



Scale
NOT TO SCALE

Issue Date
NOV. 1997

Approved

Drawing No.
SD-2061

Drawing Title
MUNICIPAL STANDARD DRAWING
STORMWATER-REINFORCED CONCRETE ENDWALL
(300 TO 750 DIA)