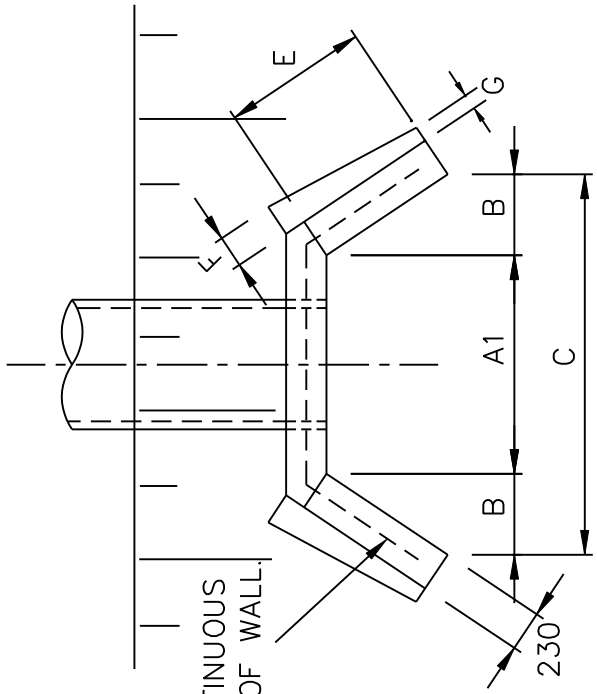
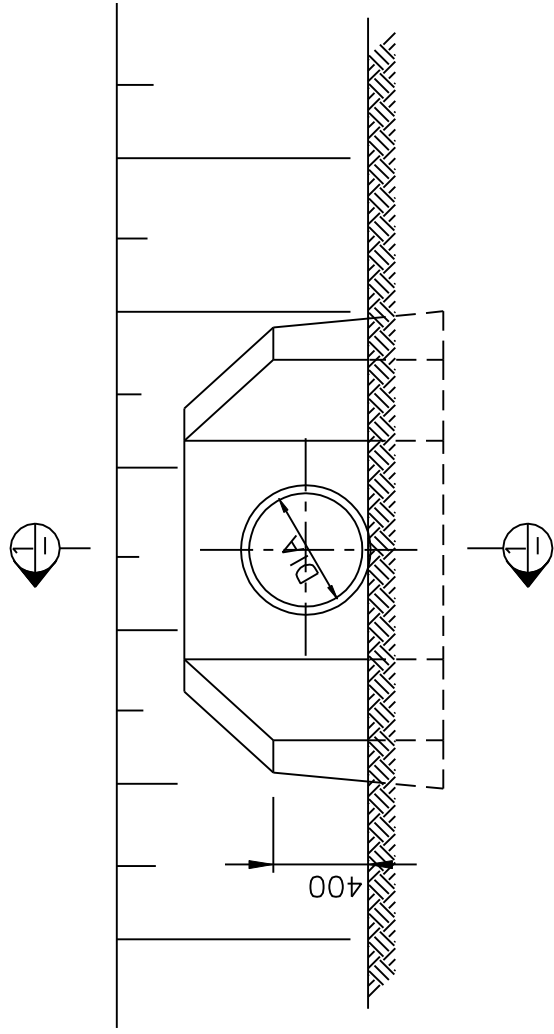


Y12 BAR CONTINUOUS  
AROUND TOP OF WALL.



PLAN – SINGLE ENDWALL



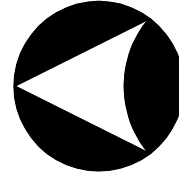
ELEVATION

NOM PIPE DIA	DIMENSION							
	A1	A2	B	C	D	E	F	G
300	750	1425	180	1125	260	320	80	50
375	850	1600	300	1425	420	520	80	50
450	950	1750	400	1750	600	720	130	70
525	1000	1950	525	2050	750	900	180	90

(E)  
(D)  
(C)  
(B)  
(A)  
No.

REVIEW OF STANDARD DRAWING SET	01/03	Date
Amendment	Appr.	Date

INSTITUTE OF PUBLIC WORKS ENGINEERING AUSTRALIA  
TASMANIA DIVISION Inc. – 2003 DISCLAIMER.  
The authors and sponsoring organisations shall have no liability or responsibility to the user or any other person or entity with respect to any liability, loss or damage caused or alleged to be caused, directly or indirectly, by the adoption and use of these Standard Drawings including, but not limited to, any interruption of service, loss of business or anticipatory profits, or consequential damages resulting from the use of these Standard Drawings. Persons must not rely on these Standard Drawings as equivalent of, or a substitute for, project-specific design and assessment by an appropriately qualified professional.



INSTITUTE OF  
PUBLIC WORKS  
ENGINEERING  
AUSTRALIA  
TASMANIA DIVISION

Drawing Title

MUNICIPAL STANDARD DRAWING

STORMWATER – MASS CONCRETE ENDWALL  
(300 TO 525 DIA)

Scale  
NOT TO SCALE

Issue Date  
NOV. 1997

Approved

Drawing No.

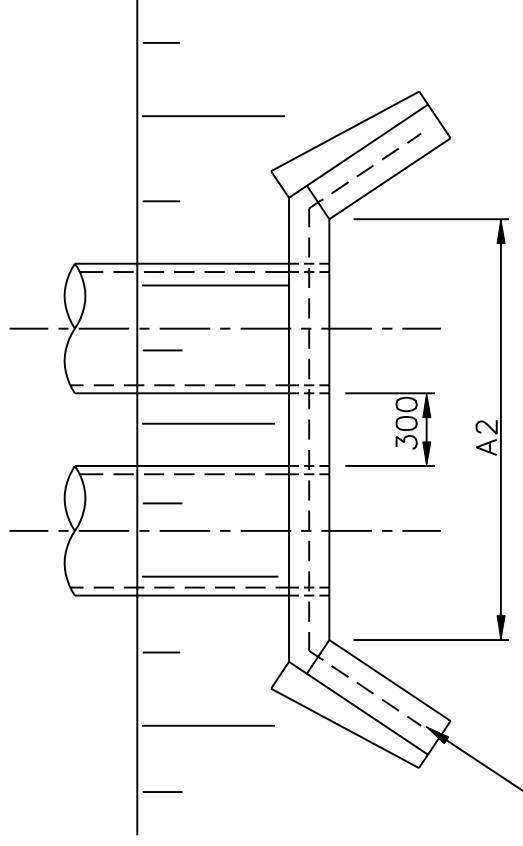
SD – 2062

NOTES

1. ALL DIMENSIONS IN MILLIMETRES (mm).
2. MINIMUM CONCRETE GRADE N20.
3. LAP REINFORCEMENT 300 MIN.
4. 50mm MINIMUM CLEAR COVER TO REQ.

SECTION 1

ROCK PITCHING TO OUTLET  
WHERE DIRECTED BY THE  
AUTHORISED OFFICER



Y12 BAR CONTINUOUS  
AROUND TOP OF WALL.

PLAN – DOUBLE ENDWALL

