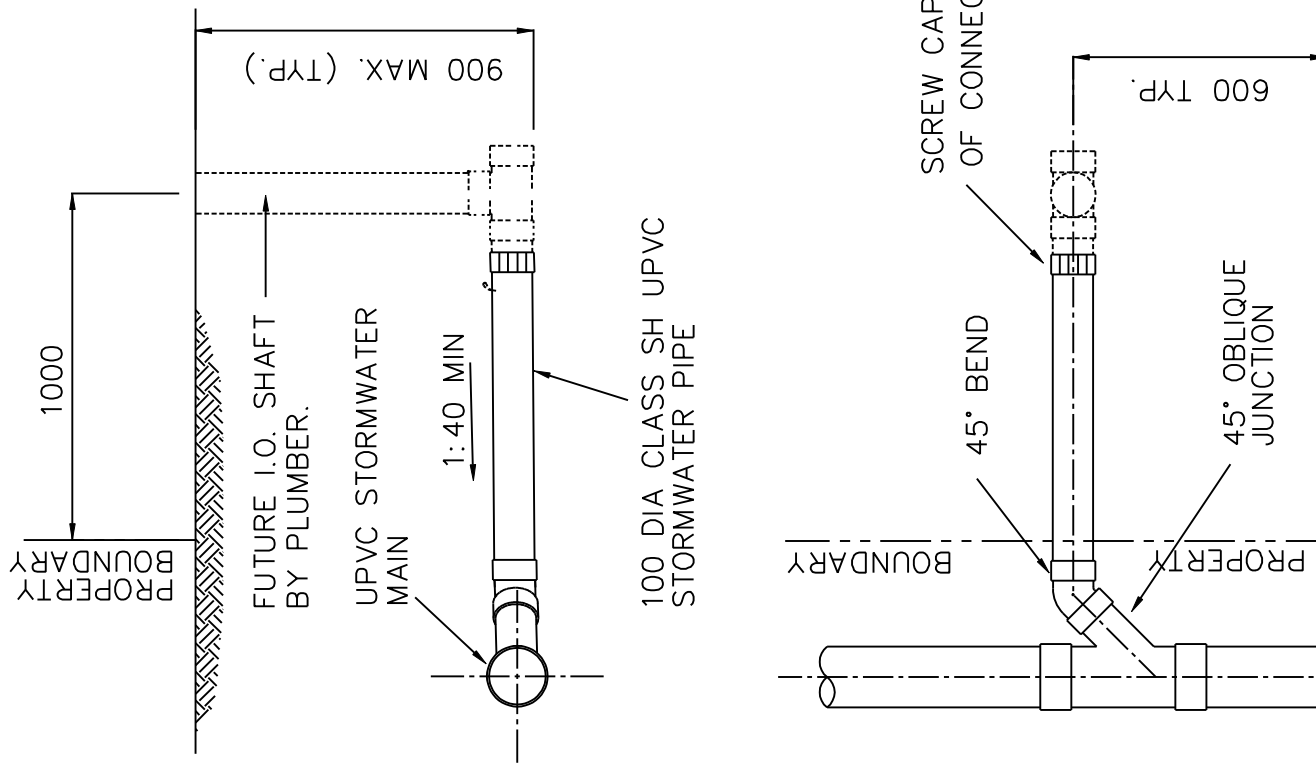
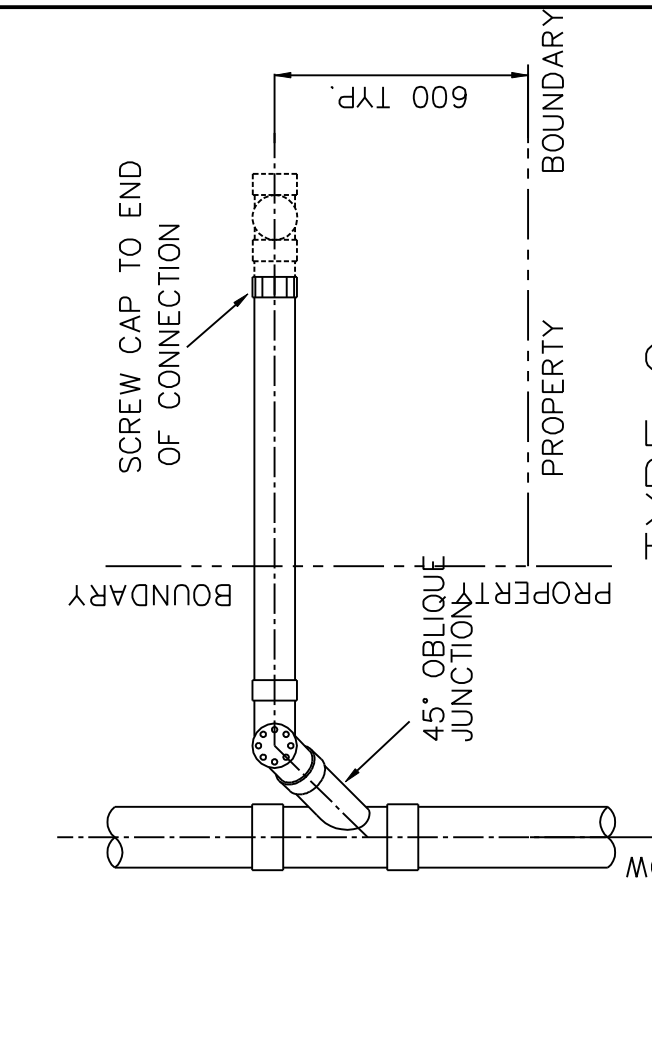
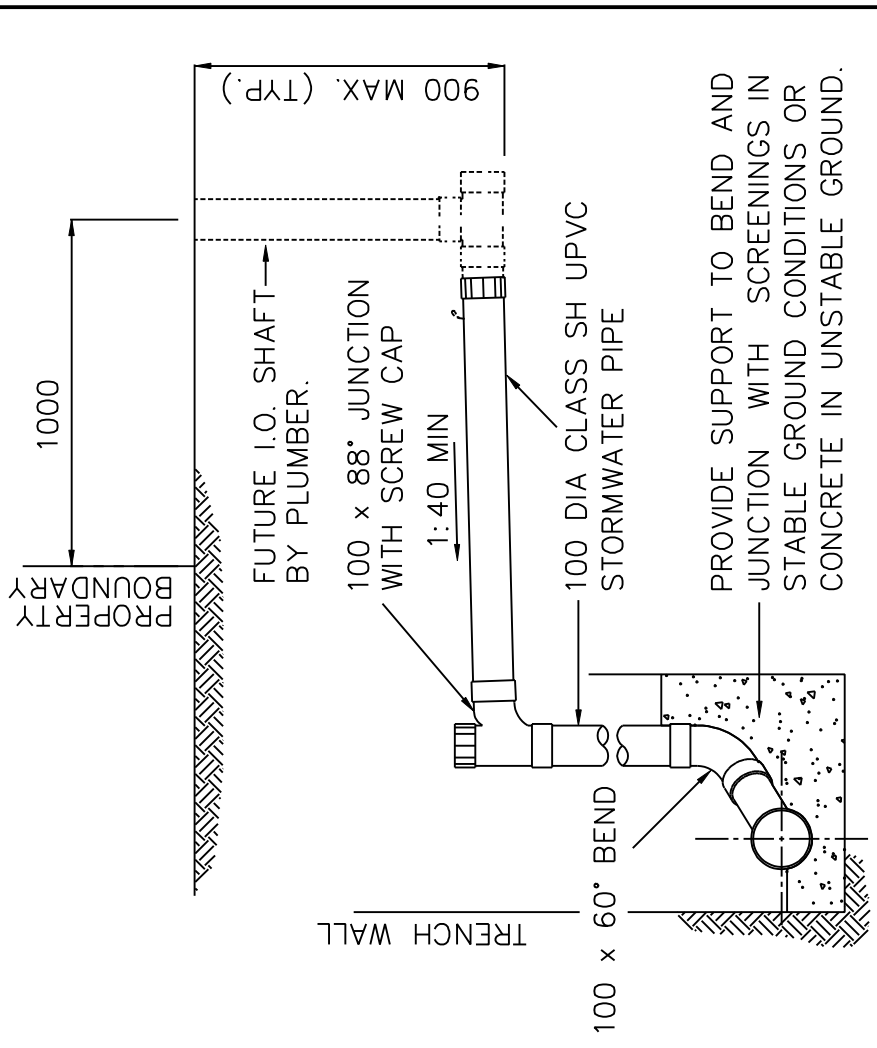


TYPE A
LOT CONNECTION TO
MAIN INSIDE BOUNDARY



TYPE B
LOT CONNECTION TO
MAIN OUTSIDE BOUNDARY



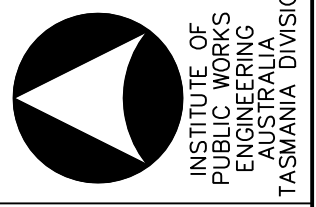
TYPE C

NOTES

1. ALL DIMENSIONS IN MILLIMETRES (mm).
2. PIPE BEDDING AND BACKFILLING TO BE IN ACCORDANCE WITH SD-5001.

(E)			
(D)			
(C)			
(B)			
(A)	REVIEW OF STANDARD DRAWING SET	01/03	Date
No.	Amendment	Appr.	Date

INSTITUTE OF PUBLIC WORKS ENGINEERING AUSTRALIA
 TASMANIA DIVISION Inc. - 2003 DISCLAIMER.
 The authors and sponsoring organisations shall have no liability or responsibility to the user or any other person or entity with respect to any liability, loss or damage caused or alleged to be caused, directly or indirectly, by the adoption and use of these Standard Drawings including, but not limited to, any interruption of service, loss of business or anticipatory profits, or consequential damages resulting from the use of these Standard Drawings. Persons must not rely on these Standard Drawings as equivalent of, or a substitute for, project-specific design and assessment by an appropriately qualified professional.



Drawing Title		MUNICIPAL STANDARD DRAWING	
Scale		NOT TO SCALE	
Issue Date	Approved	Drawing No.	
NOV. 1997		SD-2070	

STORMWATER - LOT CONNECTIONS