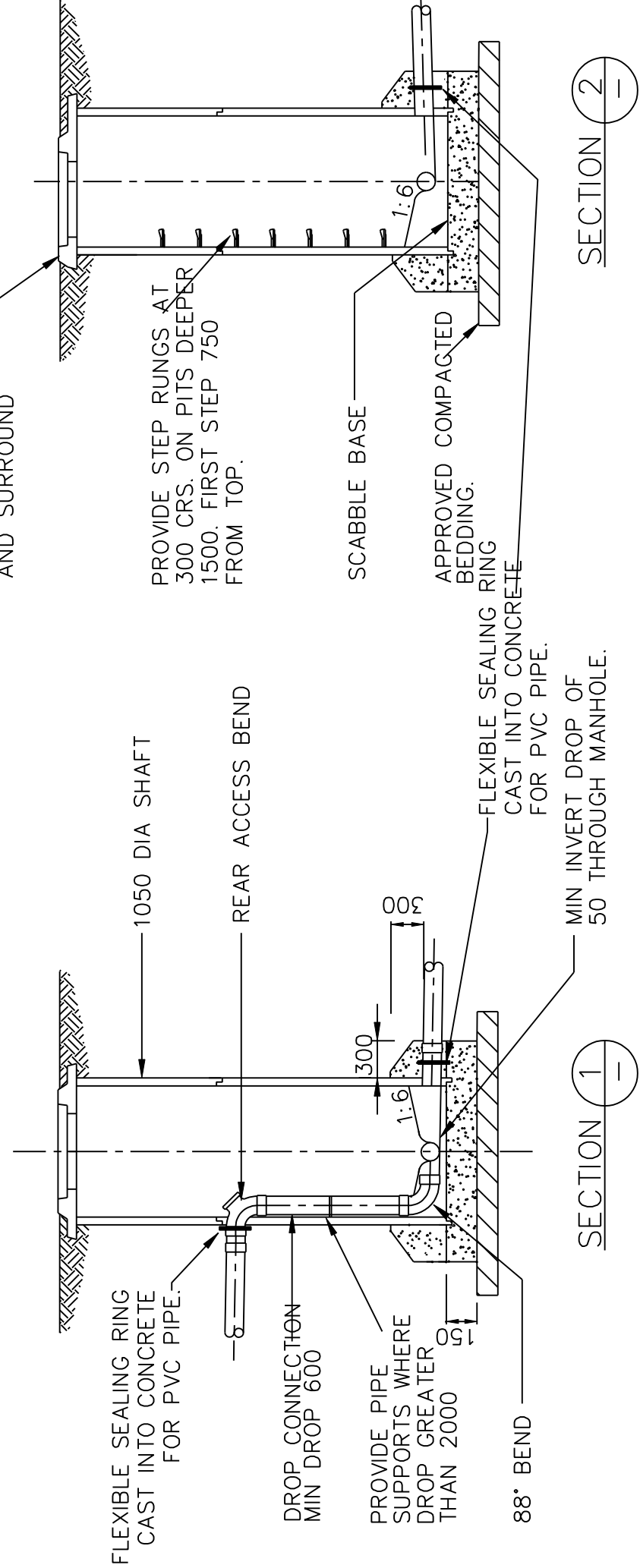


PLAN

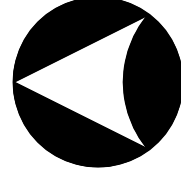
MANHOLE COVER AND SURROUND

NOTES

1. ALL DIMENSIONS IN MILLIMETRES (mm).
2. INSITU CONCRETE SHALL BE GRADE N20
3. ALTERNATIVE MATERIALS MAY BE USED SUBJECT TO THE APPROVAL OF THE AUTHORISED OFFICER.
4. CONCRETE FILLED GATIC COVERS ARE TO BE PROVIDED WHERE DIRECTED BY AUTHORISED OFFICER. CONCRETE INFILL SHALL BE:
-1 PART CEMENT
-2 PARTS SAND
-4 PARTS 10mm SCREENINGS.
5. WHERE MANHOLE IS SUBJECT TO TRAFFIC WHEEL LOADINGS A HEAVY DUTY COVER AND SURROUND SHALL BE PROVIDED.
6. ALL JOINTS IN MANHOLE SHAFT & PIPE CONNECTIONS TO MANHOLE TO BE PROVIDED WITH A WATERTIGHT SEAL TO THE AUTHORISED OFFICERS APPROVAL.
7. NO DROPS PERMITTED ON PIPES GREATER THAN 150 DIA UNLESS APPROVED BY THE AUTHORISED OFFICER.
8. ALL COVERS TO HAVE THE LETTER "S" CAST-IN TO INDICATE SEWER.



INSTITUTE OF PUBLIC WORKS ENGINEERING AUSTRALIA TASMANIA DIVISION Inc. - 2003 DISCLAIMER.
The authors and sponsoring organisations shall have no liability or responsibility to the user or any other person or entity with respect to any liability, loss or damage caused or alleged to be caused, directly or indirectly, by the adoption and use of these Standard Drawings including, but not limited to, any interruption of service, loss of business or anticipatory profits, or consequential damages resulting from the use of these Standard Drawings. Persons must not rely on these Standard Drawings as equivalent of, or a substitute for, project-specific design and assessment by an appropriately qualified professional.

 INSTITUTE OF PUBLIC WORKS ENGINEERING AUSTRALIA TASMANIA DIVISION	Drawing Title	MUNICIPAL STANDARD DRAWING	
	Scale	Issue Date	Approved
	NOT TO SCALE	NOV. 1997	Drawing No.
			SD-3002

(E)			
(D)			
(C)			
(B)			
(A)	REVIEW OF STANDARD DRAWING SET	01/03	Date
No.	Amendment	Appr.	Date