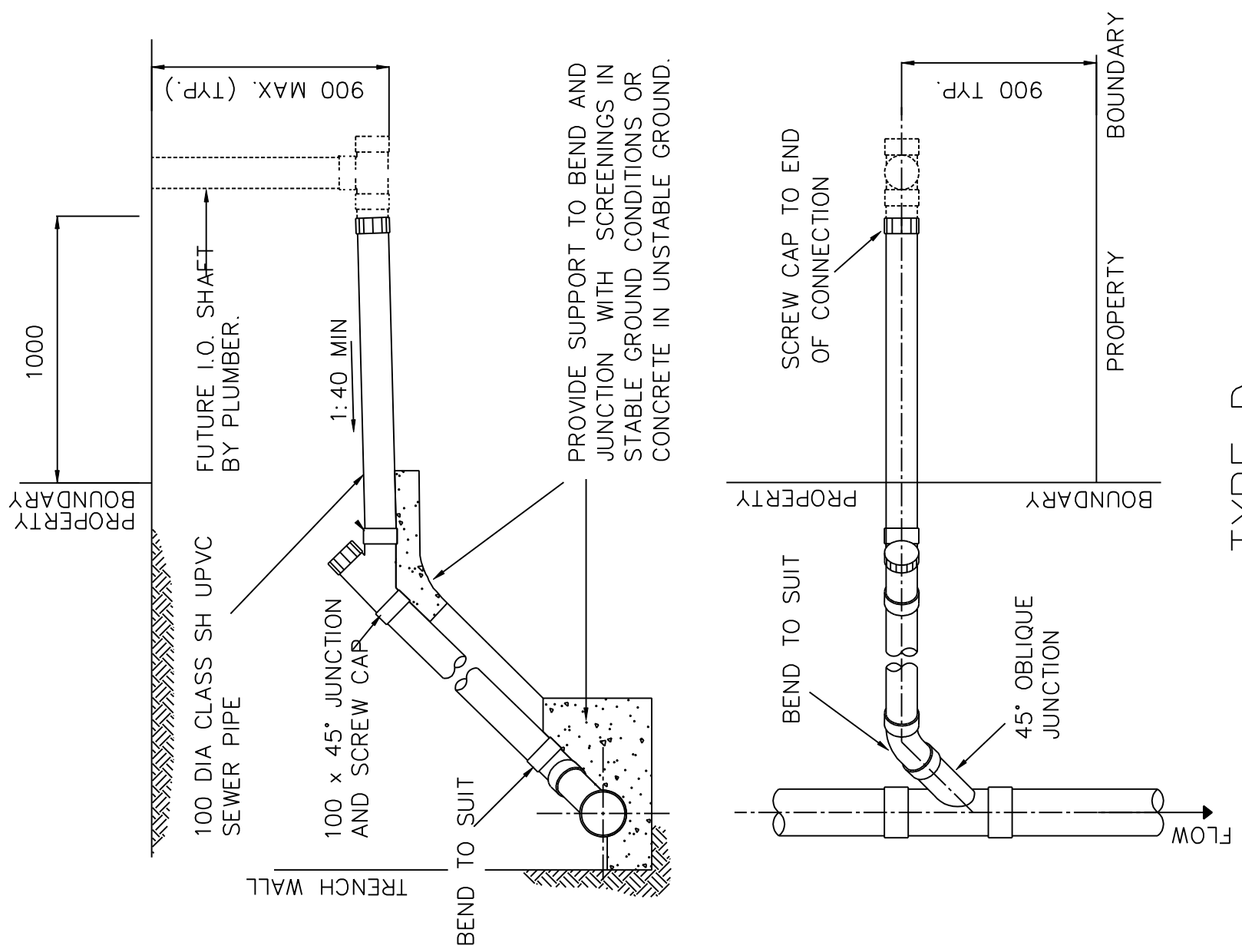
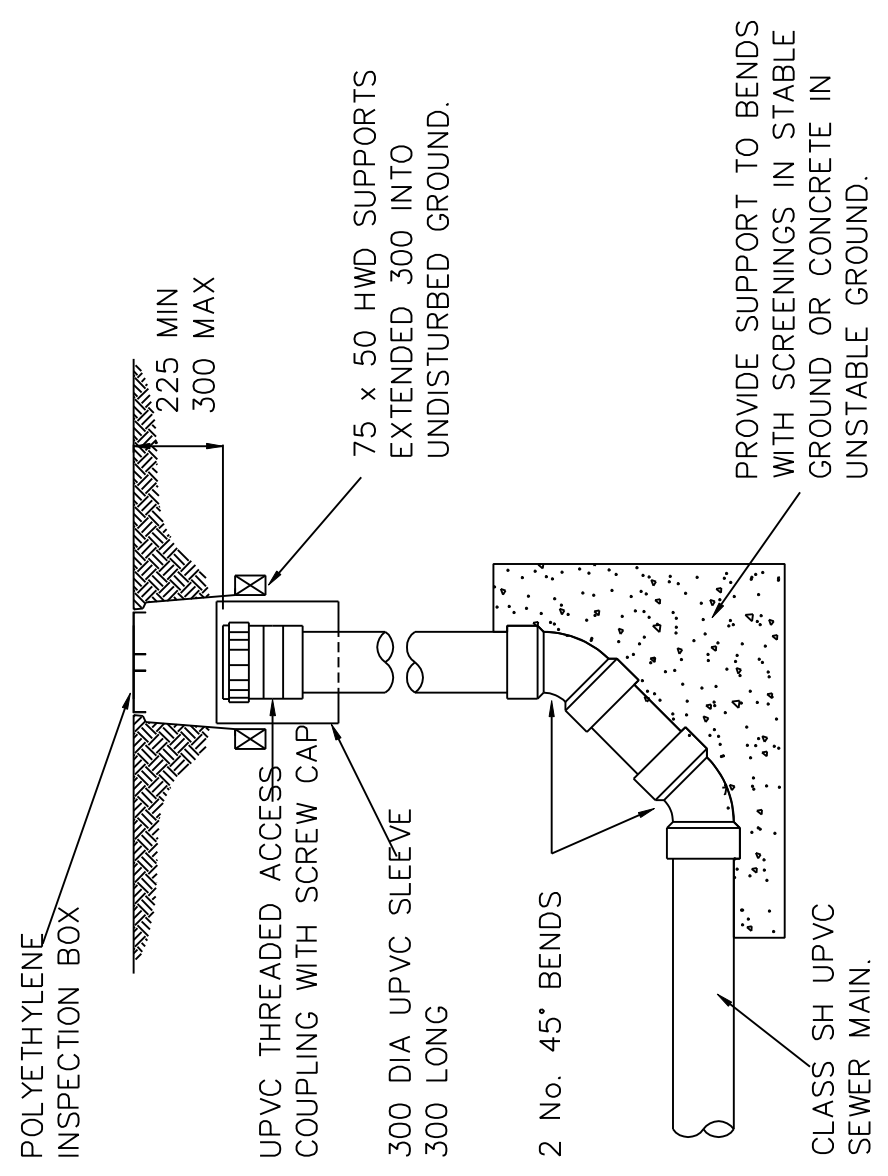


NOTES

1. ALL DIMENSIONS IN MILLIMETRES (mm).
2. PIPE BEDDING AND BACKFILLING TO BE IN ACCORDANCE WITH SD-5001.



TYPE D
SLOPE JUMP UP CONNECTION

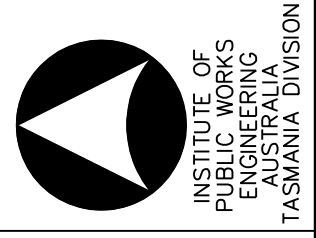


SEWER LINE DEAD ENDS
100 TO 225 DIA UPVC

- 100 DIA MAIN - ALL PIPE AND FITTINGS TO BE 100 DIA
- 150 DIA MAIN - ALL PIPE AND FITTINGS TO BE 150 DIA
- 225 DIA MAIN - ALL PIPE AND FITTINGS TO BE 150 DIA.

(E)			
(D)			
(C)			
(B)			
(A)	REVIEW OF STANDARD DRAWING SET	01/03	Date
No.	Amendment	Appr.	Date

INSTITUTE OF PUBLIC WORKS ENGINEERING AUSTRALIA
TASMANIA DIVISION Inc. - 2003 DISCLAIMER.
The authors and sponsoring organisations shall have no liability or responsibility to the user or any other person or entity with respect to any liability, loss or damage caused or alleged to be caused, directly or indirectly, by the adoption and use of these Standard Drawings including, but not limited to, any interruption of service, loss of business or anticipatory profits, or consequential damages resulting from the use of these Standard Drawings. Persons must not rely on these Standard Drawings as equivalent of, or a substitute for, project-specific design and assessment by an appropriately qualified professional.



Drawing Title		MUNICIPAL STANDARD DRAWING	
Scale		NOT TO SCALE	
Issue Date		NOV. 1997	
Approved		Approved	
Drawing No.		SD-3011	