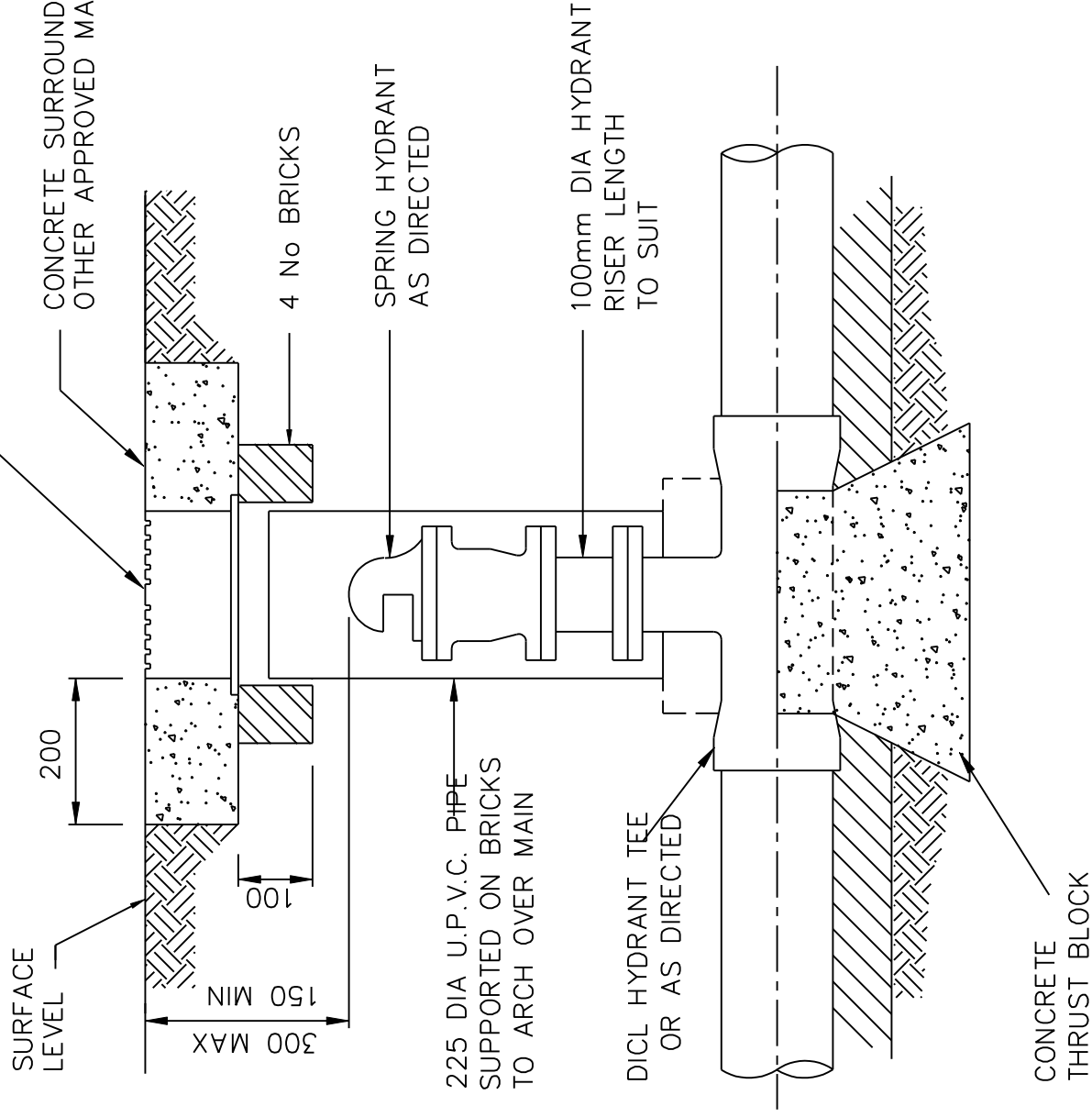
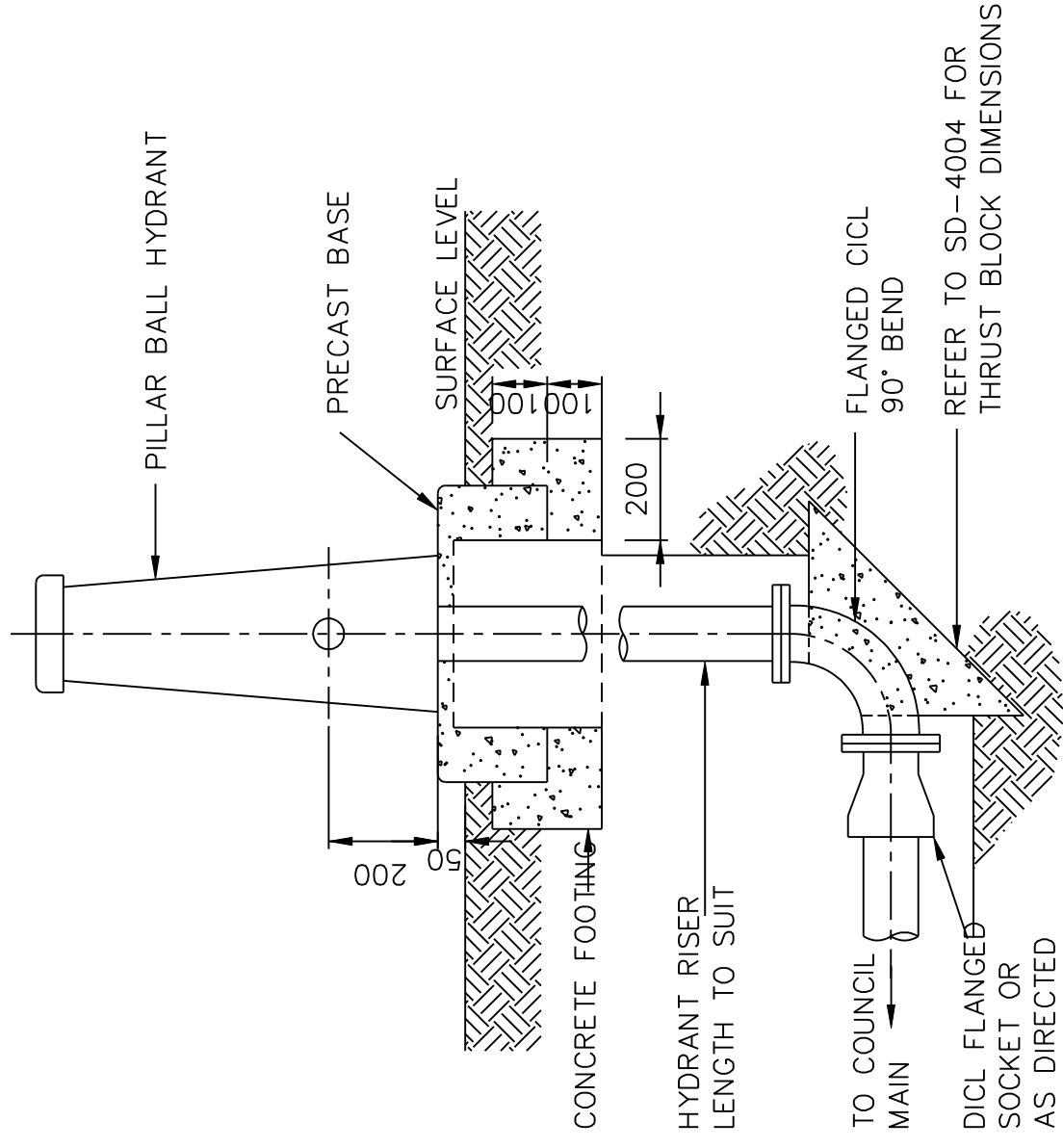


CAST IRON HYDRANT BOX WITH HINGED LID
 CONCRETE SURROUND OR OTHER APPROVED MATERIAL



SPRING HYDRANT



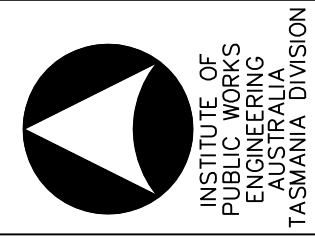
PILLAR BALL (TYPE L) HYDRANT

NOTES

1. ALL DIMENSIONS IN MILLIMETRES (mm).
2. REFER SD-5001 FOR BEDDING AND BACKFILLING DETAILS
3. WHERE MAIN IN ROAD OF HIGH TRAFFIC AREAS R.P.'S TO BE OFFSET TO CLEAR TRAFFIC PATHS
4. FIRE HYDRANT AND VALVES TO BE MARKED IN ACCORD WITH IPWEA FIRE HYDRANT GUIDELINES MAY 2000

(E)					
(D)					
(C)					
(B)					
(A)	REVIEW OF STANDARD DRAWING SET		01/03		
No.	Amendment	Appr.	Date		

INSTITUTE OF PUBLIC WORKS ENGINEERING AUSTRALIA
 TASMANIA DIVISION Inc. - 2003 DISCLAIMER.
 The authors and sponsoring organisations shall have no liability or responsibility to the user or any other person or entity with respect to any liability, loss or damage caused or alleged to be caused, directly or indirectly, by the adoption and use of these Standard Drawings including, but not limited to, any interruption of service, loss of business or anticipatory profits, or consequential damages resulting from the use of these Standard Drawings. Persons must not rely on these Standard Drawings as equivalent of, or a substitute for, project-specific design and assessment by an appropriately qualified professional.



Drawing Title		MUNICIPAL STANDARD DRAWING	
Scale		NOT TO SCALE	
Issue Date	Approved	Drawing No.	
NOV. 1997		SD-4003	

WATER SUPPLY - FIRE HYDRANTS