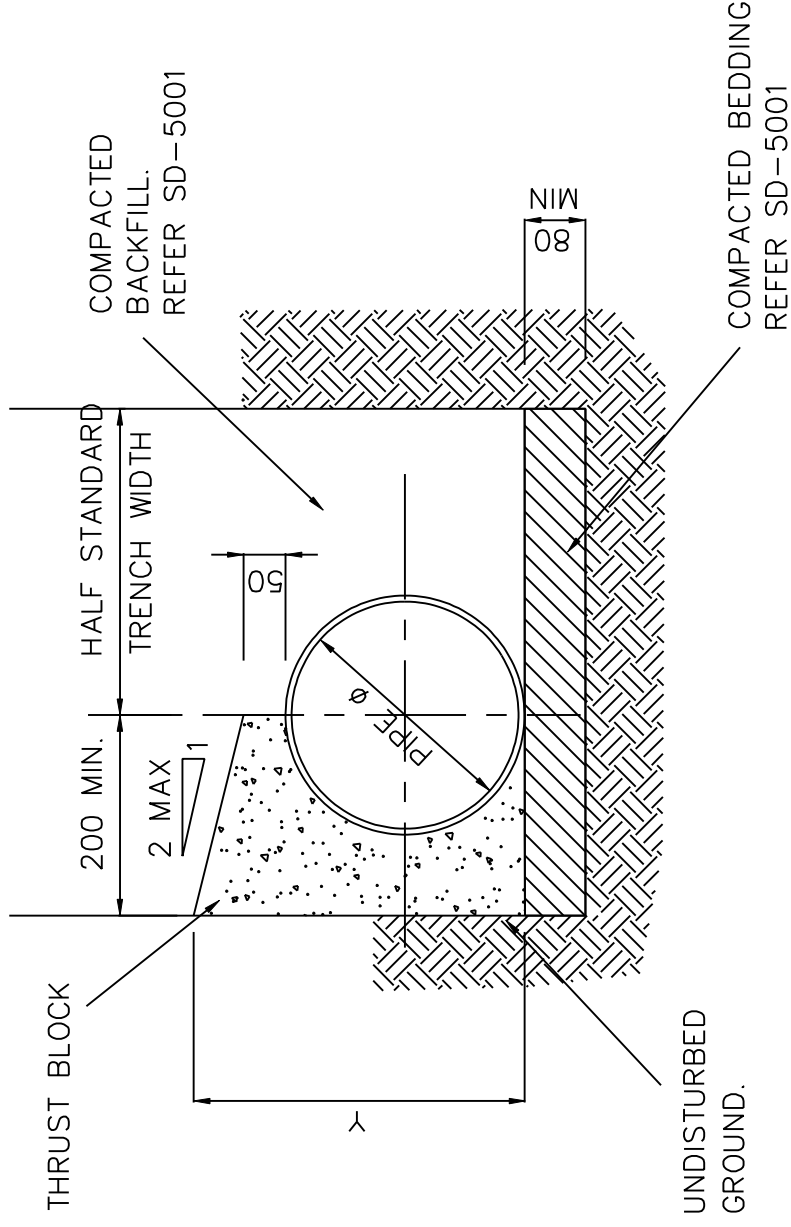


PLAN



SECTION 1

NOTES

1. ALL DIMENSIONS IN MILLIMETRES (mm).
2. MINIMUM CONCRETE GRADE N20.
3. TABLE BASED ON TEST PRESSURE OF 1800kPa.
4. IF STATIC PRESSURE IS GREATER THAN 1200kPa REFER TO AUTHORISED OFFICER FOR THRUST BLOCK RESIZING.
5. VERTICAL THRUST & ANCHOR BLOCKS SHALL BE TO THE APPROVAL OF THE AUTHORISED OFFICER.

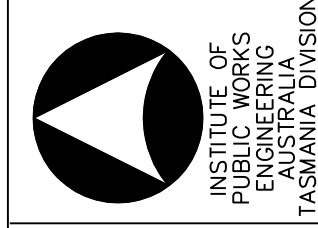
SOIL TYPE	SAFE BEARING LOAD (kPa)
A	300
B	150
C	50
D	ENGINEERED DESIGN REQUIRED

BEND	PIPE Ø	SOIL TYPE	MINIMUM DIMENSION	
			X	Y
11¼°	100	A	300	300
		B	300	300
		C	350	300
		D		
	150	A	300	350
		B	300	350
		C	500	350
		D		
	225	A	300	450
		B	300	450
		C	800	500
		D		
300	A	300	500	
	B	450	500	
	C	1000	650	
	D			
375	A	300	600	
	B	500	600	
	C	1400	700	
	D			
22½°	100	A	300	300
		B	300	300
		C	450	400
		D		
	150	A	300	300
		B	400	300
		C	700	500
		D		
	225	A	300	500
		B	500	500
		C	1250	600
		D		
300	A	500	500	
	B	750	600	
	C	1900	700	
	D			
375	A	500	600	
	B	900	700	
	C	1900	1000	
	D			

BEND	PIPE Ø	SOIL TYPE	MINIMUM DIMENSION	
			X	Y
45°	100	A	300	300
		B	400	300
		C	650	500
		D		
	150	A	500	300
		B	500	500
		C	1000	700
		D		
	225	A	500	500
		B	800	600
		C	1850	800
		D		
300	A	800	600	
	B	1100	800	
	C	1900	1400	
	D			
375	A	900	700	
	B	1500	800	
	C	2500	1500	
	D			
90°	100	A	450	300
		B	500	400
		C	1000	600
		D		
	150	A	700	400
		B	700	600
		C	1500	850
		D		
	225	A	900	500
		B	1300	700
		C	2100	1300
		D		
300	A	1000	800	
	B	1350	1200	
	C	2700	1800	
	D			
375	A	1150	1000	
	B	1900	1200	
	C	3500	2000	
	D			

THIS IS AN INDICATIVE GUIDE ONLY

INSTITUTE OF PUBLIC WORKS ENGINEERING AUSTRALIA  
TASMANIA DIVISION Inc. - 2003 DISCLAIMER.  
The authors and sponsoring organisations shall have no liability or responsibility to the user or any other person or entity with respect to any liability, loss or damage caused or alleged to be caused, directly or indirectly, by the adoption and use of these Standard Drawings including, but not limited to, any interruption of service, loss of business or anticipatory profits, or consequential damages resulting from the use of these Standard Drawings. Persons must not rely on these Standard Drawings as equivalent of, or a substitute for, project-specific design and assessment by an appropriately qualified professional.



Drawing Title

MUNICIPAL STANDARD DRAWING

WATER SUPPLY - THRUST BLOCK DETAILS

No.	Amendment	Appr.	Date
(E)			
(D)			
(C)			
(B)			
(A)	REVIEW OF STANDARD DRAWING SET		01/03

Scale  
NOT TO SCALE

Issue Date  
NOV. 1997

Approved

Drawing No.

SD-4004