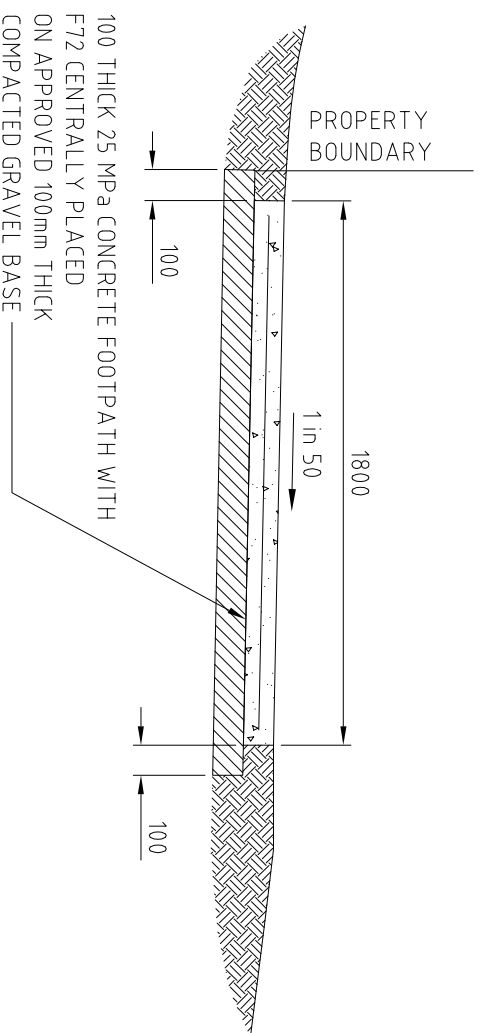
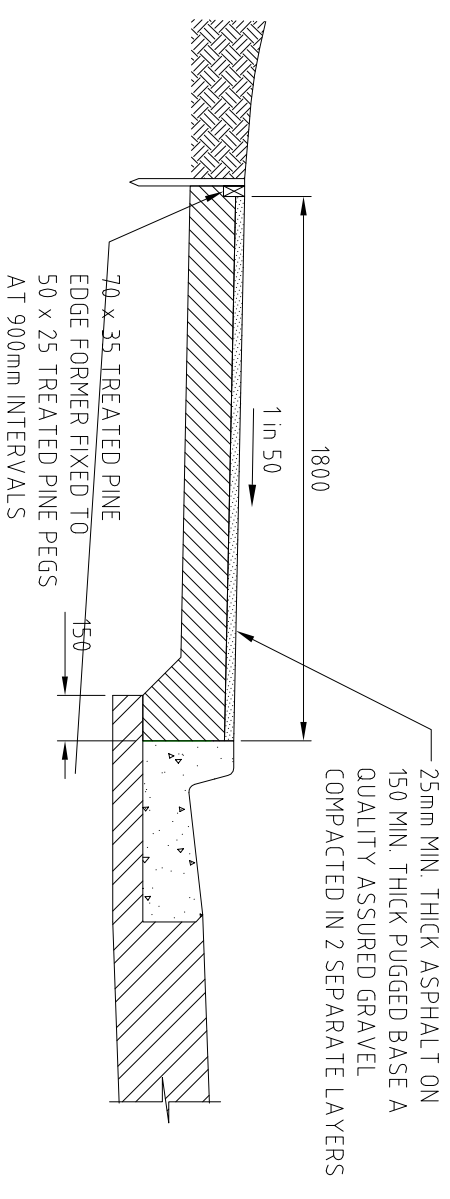


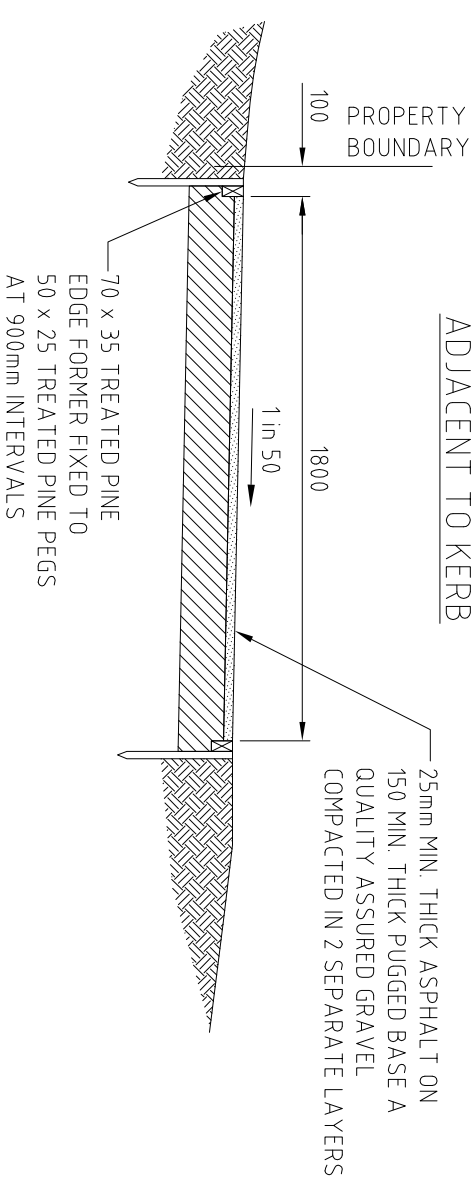
ADJACENT TO KERB



ADJACENT TO BOUNDARY

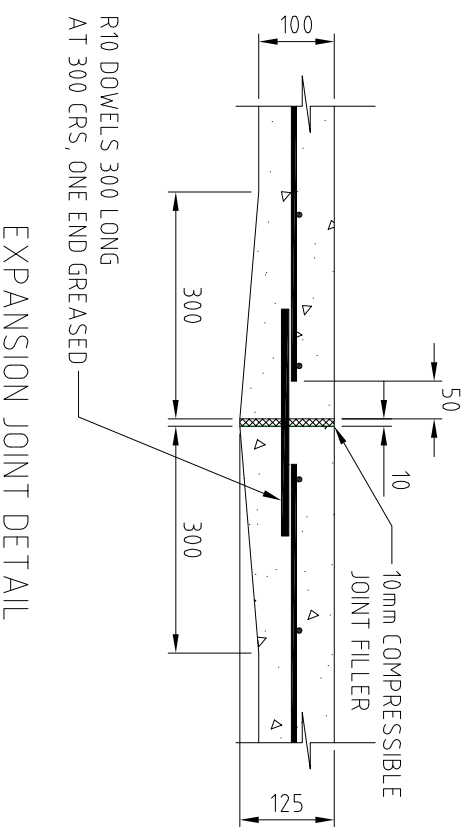


ADJACENT TO KERB



ADJACENT TO BOUNDARY

### CONCRETE FOOTPATH DETAILS



EXPANSION JOINT DETAIL

#### NOTES:

1. ALL DIMENSIONS ARE IN MILLIMETRES (mm).
2. CONCRETE FOOTPATH MINIMUM CONCRETE GRADE TO BE N25.
3. INCREASE CONCRETE THICKNESS TO 125mm AT DRIVEWAY CROSSINGS (REFER SD-1003).
4. PROVIDE TOOLED CONTRACTION JOINTS OR "CONNOLLY" KEY JOINT (OR APPROVED EQUIVALENT) AT 3.0m MAXIMUM CENTRES.
5. PROVIDE EXPANSION JOINTS AT 18.0m MAXIMUM CENTRES AND EITHER SIDE OF DRIVEWAYS.

### ASPHALT FOOTPATH DETAILS

6. ASPHALT FOOTPATH INCREASE DEPTH OF GRAVEL BASE TO 200mm AT DRIVEWAY CROSSINGS (REFER SD-1003).
7. TIMBER FORMERS ARE TO REMAIN IN PLACE AFTER ASPHALT IS COMPACTED
8. CEMENT AND CLAY PAVERS MAY BE USED WHERE APPROVED BY THE DELEGATED OFFICER. INSTALLATION SHALL BE IN ACCORDANCE WITH THE MANUFACTURERS SPECIFICATION.

No.	AMENDMENT	APPR.	DATE
(A)	REVIEW OF STANDARD DRAWING SET		01/03
(B)	DRAFTING REVISIONS		05/04
(C)	NMC REVISIONS		01/06

**INSTITUTE OF PUBLIC WORKS ENGINEERING AUSTRALIA**  
**TASMANIA DIVISION Inc. - 2003 DISCLAIMER.**  
 The authors and sponsoring organisations shall have no liability or responsibility to the user or any other person or entity with respect to any liability, loss or damage caused or alleged to be caused, directly or indirectly, by the adoption and use of these Standard Drawings including, but not limited to, any interruption of service, loss of business or anticipatory profits, or consequential damages resulting from the use of these Standard Drawings. Persons must not rely on these Standard Drawings as equivalent to, or a substitute for, project-specific design and assessment by an appropriately qualified professional.



INSTITUTE OF  
PUBLIC WORKS  
ENGINEERING  
AUSTRALIA  
TASMANIA DIVISION

DRAWING TITLE **MUNICIPAL STANDARD DRAWING**

**URBAN ROADS - FOOTPATH DETAILS**

SCALE	ISSUE DATE	APPROVED	DRAWING NO.
NOT TO SCALE	NOV. 1997		SD-1006



ERROR: syntaxerror  
OFFENDING COMMAND: --nostringval--

STACK:

/Title  
( )  
/Subject  
(D:20090702120600+10'00')  
/ModDate  
( )  
/Keywords  
(PDFCreator Version 0.9.5)  
/Creator  
(D:20090702120600+10'00')  
/CreationDate  
(jonathan.galbraith)  
/Author  
-mark-